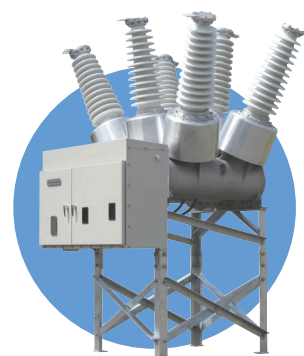


38kV Dry Air Insulated Dead Tank Vacuum Circuit Breaker



Product Specifications

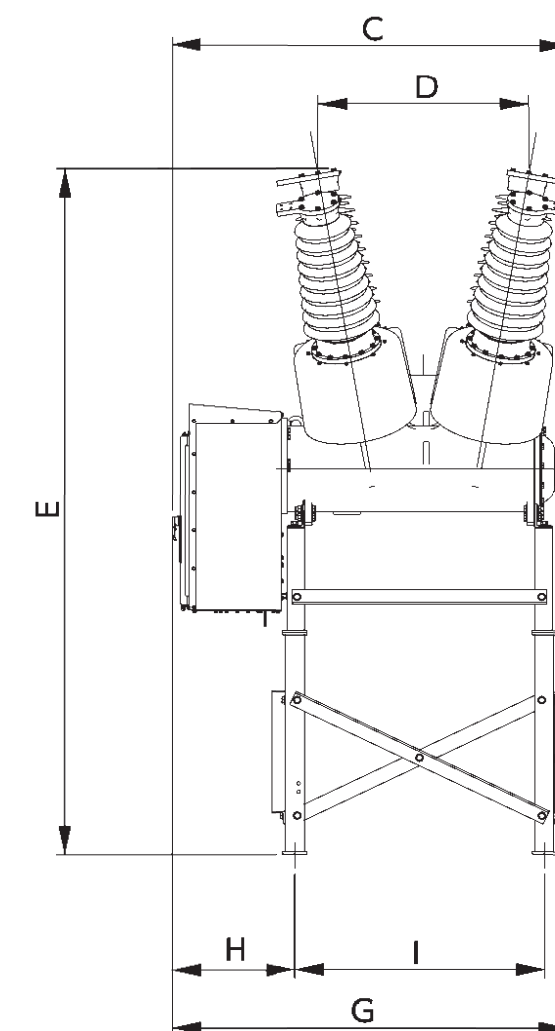
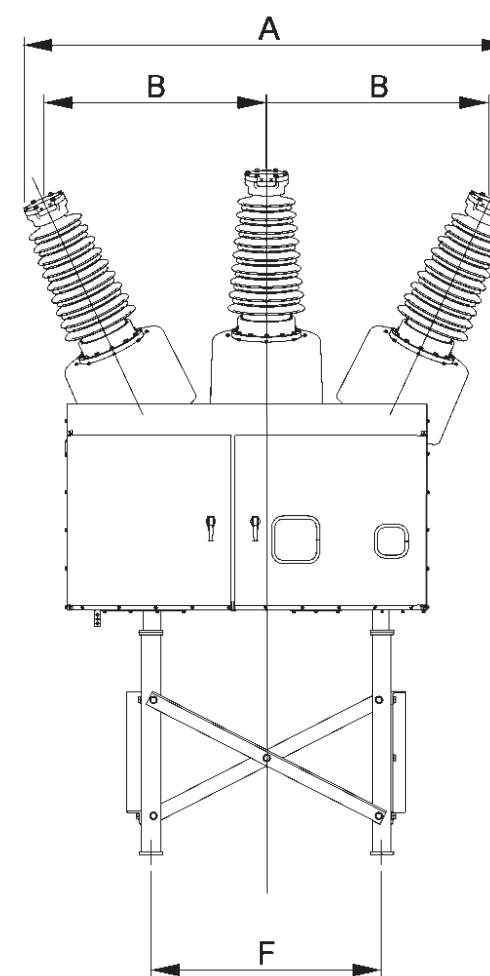
Model	MAS 3832	MAS 3833	MAS 3842	MAS 3843
Rated Maximum Voltage (kV)	38			
Dielectric Withstand Voltage	Power Frequency (1 min Dry) (kV rms)		80	
	Lightning Impulse (Full Wave Withstand) (kV Peak)		200	
Rated Frequency (Hz)	50/60			
Rated Continuous Current (A)	2000	3000/3150	2000	3000/3150
Rated Short Circuit Breaking Current (kA)	31.5		40	
Rated Transient Recovery Voltage: Rate of Rise (kV/μs)	1.47			
First Pole to Clear Factor	1.5			
Rated Closing and Latching Current (kA)	82		104	
Rated Short-Circuit and Short-Time Circuit (kA)	31.5 (3s)		40 (3s)	
Rated Interrupting Time (Cycles)	3			
Rated Opening Time (s)	0.03			
Rated Closing Time with No Load (s)	0.1			
Operating Duty	O-0.3s-CO-15s-CO			
Rated Control Voltage (Vdc)	48, 125, 250			
Rated Tripping Voltage (Vdc)	48, 125, 250			
Rated Motor Voltage	(Vdc)	48, 125, 250		
	(Vac)	60, 120, 240		
Rated Dry Air Pressure (psig)	72.5			
Closing Operation System	Spring			
Tripping Control System	Spring			
Certifications	ANSI/IEEE C37.06, IEC 62271-100			

*36kV/31.5kA dead tank VCB available certified to IEC standard

Dimensions

	A	B	C	D	E	F	G	H	I	Weight (lbs)
Porcelain (2000A)	90	41	79	39	129	47	81	26	51	4000
Porcelain (3150A)										4200

Unit: in



● **Meiden America Switchgear, Inc.**
2200 N Old Laurens Rd.
Gray Court, SC 29645
(864) 601-9090

www.meidensha.com/mas
inquiry@mas.meidensha.com

