

Available Ratings

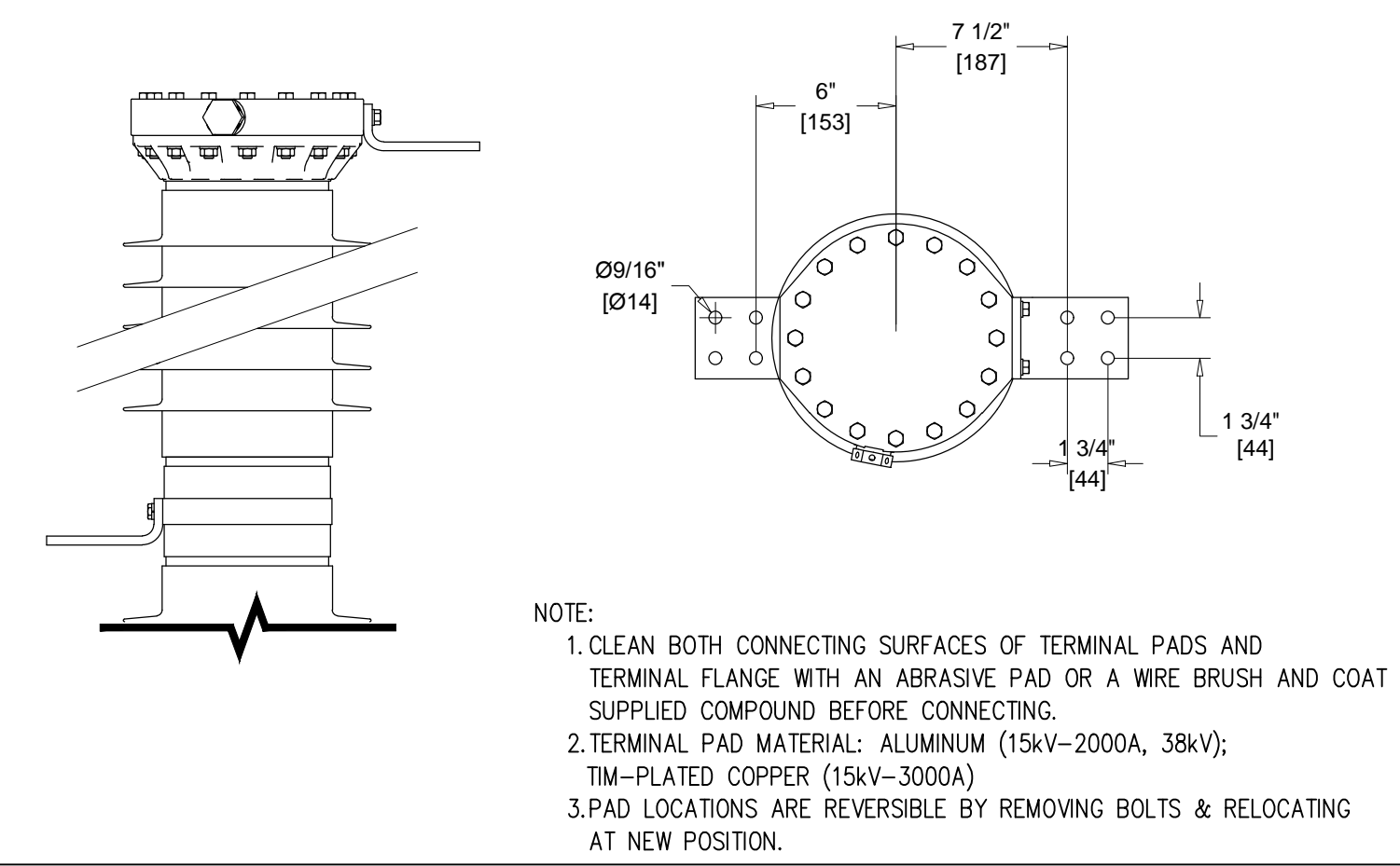
Voltage (kV)	Continuous Current (A)	Reactor Switching Current (A)		Operating Temperature Range
		Min	Max	
15.5	2000	500	2000	-40° C to +50° C
	3000*	1000	3000	-40° C to +50° C
38 kV	1600	500	1600	-40° C to +50° C

* At temperature between +40C to +50C the 15kV, 3000 A design has a maximum rating of 2700 A.

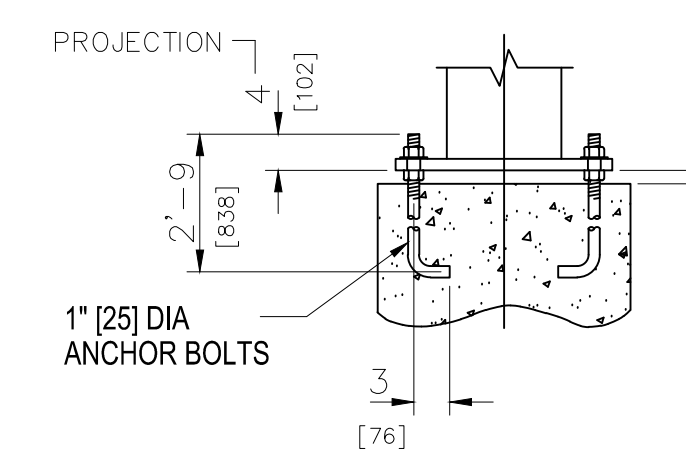
All Ratings

Power Frequency(Hz)	50/60
BIL (kV)	200
Short Time Withstand (KA/sec)	40/2
Peak Withstand (kA)	108
Short Circuit Making (kA)	40

DETAIL OF UPPER AND LOWER TERMINAL PADS



ANCHOR BOLT DETAIL



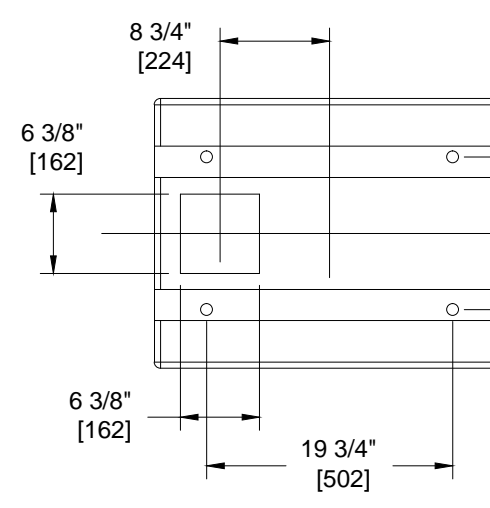
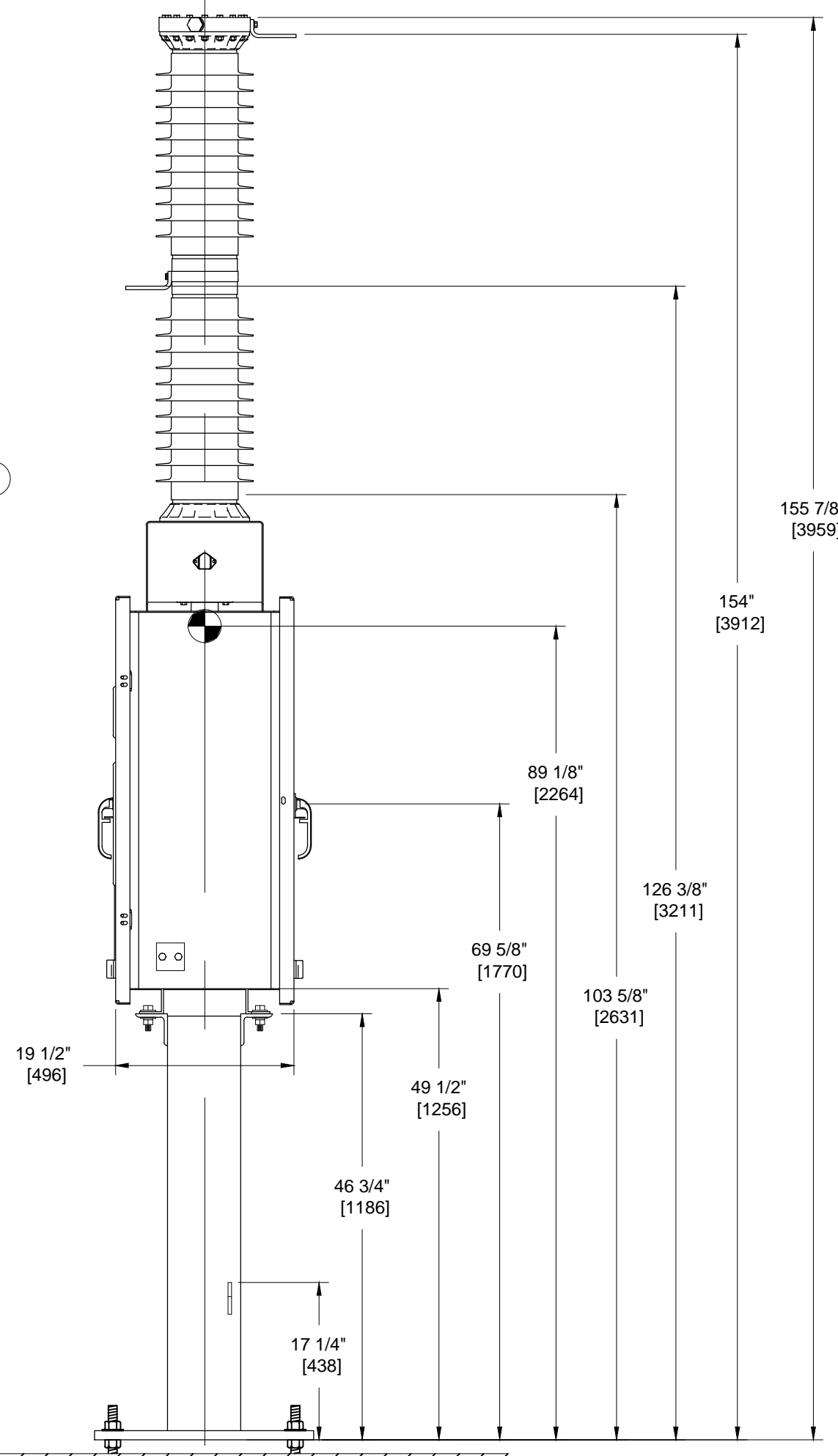
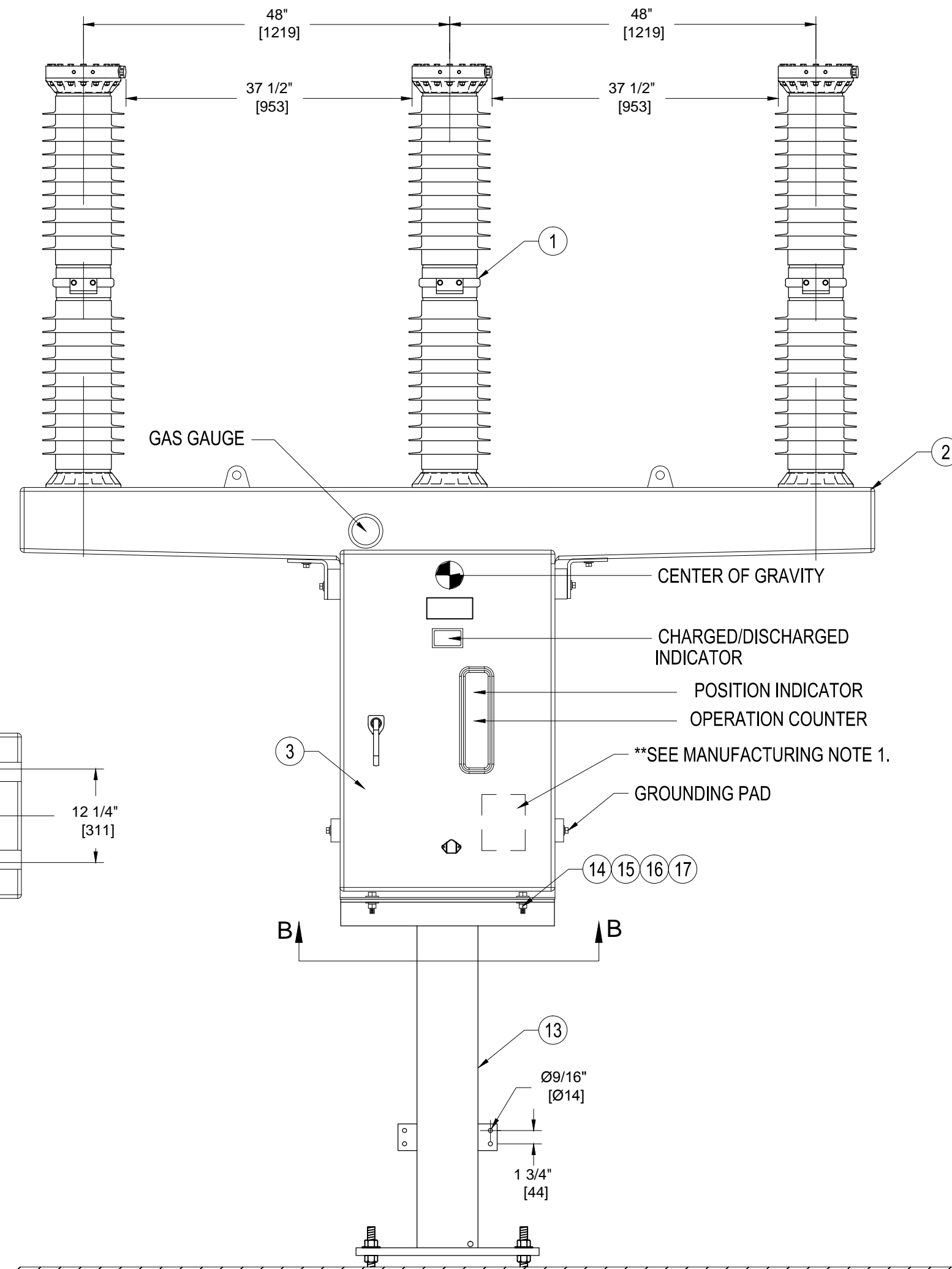
WEIGHTS (APPROX)	lbs.	kg.
a. HOR FRAME ASSY WITH INTERRUPTERS.	735 lbs.	334 kg.
b. CONTROL /MECHANISM ENCLOSURE.	727 lbs.	330 kg.
c. SF6 GAS.	6.9 lbs.	3 kg.
d. SUPPORT COLUMN.	282 lbs.	128 kg.

BILL OF MATERIAL

TERTIARY REACTOR SWITCHER

ITEM	DESCRIPTION	DWG SIZE	PART NO.	QUANTITY
1	INTERRUPTER ASSEMBLY	D	0824XXXX	3
2	HORIZONTAL BASE FRAME		08240100	1
3	MECHANISM CABINET		08240002	1
4	SHIP LOOSE PARTS		0824XXXX	1
5	CSV HARDWARE ASSEMBLY		0812XXXX	1
6	CONTROL PANEL ASSEMBLY		0824XXXX	1
7				
8				
9				
10				
11				
12				
13	SUPPORT COLUMN	D	27801236	1
14	7/8-9 GALV. HEX NUT		01178080	4
15	7/8 -9 X 2 1/4 GALV. HEX BOLT		01058036	4
16	7/8 GALV. LOCKWASHER		01188280	4
17	7/8 GALV. PLAIN WASHER		01188060	8
18				

NOTES :-
 1. MAXIMUM IMPACT LOAD DURING OPERATION :-4410 LBS. [2000 KG.] UPWARD & DOWNWARD.
 2. FINISH :- ALL EXPOSED FERROUS PARTS ARE PAINTED WITH SHADE ANSI 70 GRAY.
 3. CREEPAGE DISTANCE OF INSULATOR: 57" [1448 mm]
 4. HARDWARE EXPOSED TO ATMOSPHERE ARE EITHER HOT DIPPED GALVANIZED OR STAINLESS STEEL.
 5. DIMENSIONS SHOWN IN [] ARE IN MILLIMETERS. OTHER DIMENSIONS ARE IN FEET AND INCHES.
 6. UNIT SHIPPED FULLY PRESSURIZED AT 76 PSIG.



NAMEPLATE

Southern States
The Quality Name in High Voltage Switching

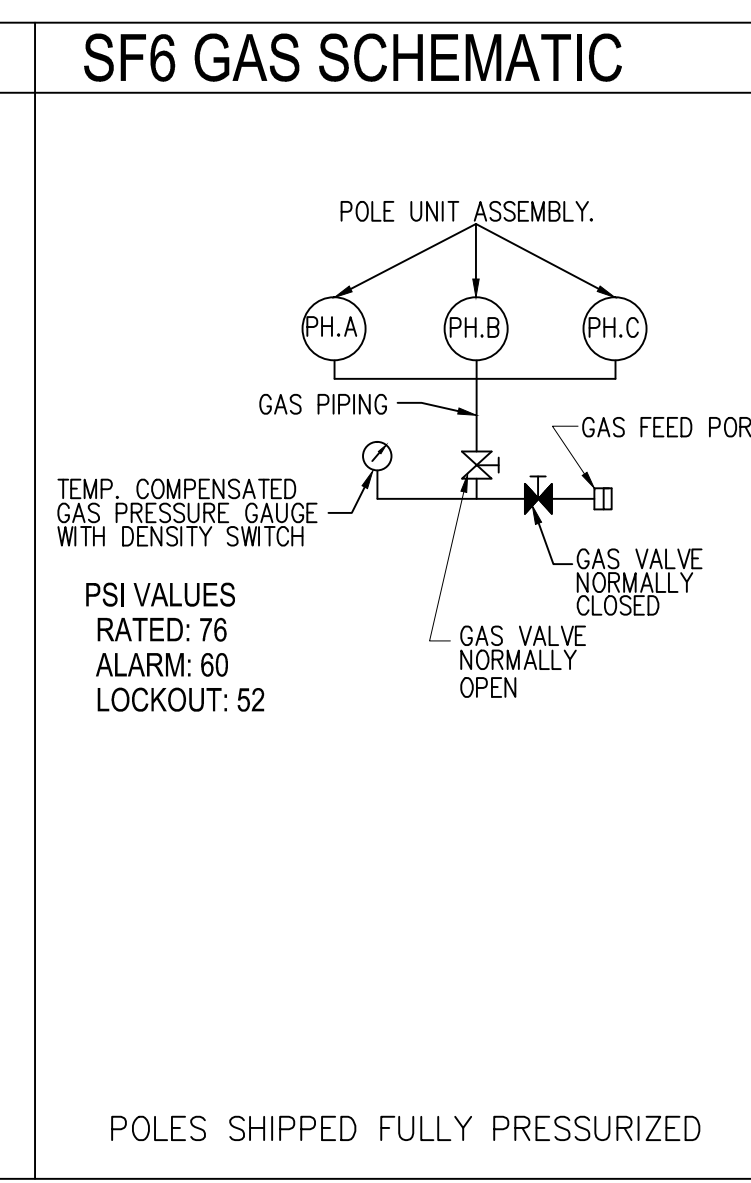
RLSwitcher®

TYPE DESIGNATION: RLS38T SERIAL NO. [SEE TABLE 1]
 JOB ORDER NO. [SEE TABLE 1] AMBIENT TEMP. RANGE: -40°C to +50°C
 DRAWING NO. XXXXXXXX REFERENCE DRAWING NO. N/A
 MFR DATE: MMYYY WARRANTY EXP. MMYYY
 RATED MAX VOLT: 38 kV POWER FREQUENCY: 50/60 Hz
 CONTINUOUS CURRENT: 1600 A INTERRUPTING TIME: N/A CYCLES
 SWITCHING IMPULSE (CLOSED): N/A kV
 SWITCHING IMPULSE (OPEN): N/A kV
 SHORT TIME WITHSTAND CURRENT (RMS): 40 kA FOR 2 SEC.
 SHORT-CIRCUIT MAKING CURRENT (RMS): 108 kA
 PEAK WITHSTAND CURRENT: 108 kA
 LIGHTNING IMPULSE WITHSTAND VOLTAGE INTERRUPTER (BIL): 200 kV
 COIL VOLTAGE-CLOSING: XXXX TRIPPING: XXXX
 MOTOR VOLTAGE: XXXX AUX. CKT: XXXX
 OPERATING SEQUENCE: CO-15 SEC-CO HEATER CKT: XXXX

Reactor Switch Ratings
 MAX REACTOR SWITCHING CURRENT: 1800 A
 MIN REACTOR SWITCHING CURRENT: 500 A
 RATED OPERATING SEQUENCE: N/A

INSTRUCTION BOOK NO. [SEE TABLE 1]
 GAS WEIGHT: 6.9 lbs. @ 76 PSIG AT 20° C. NOMINAL 76 MINIMUM 52
 TOTAL WT. []

Southern States LLC, 30 Georgia Ave., Hampton, Georgia, USA
PATENT PENDING



PROPOSAL DRAWING

NOT FOR CONSTRUCTION
 SPECIFICATIONS SUBJECT
 TO CHANGE

THIS DRAWING AND THE INFORMATION HEREIN ARE THE PROPERTY OF SOUTHERN STATES, LLC AND ARE PROVIDED FOR THE EXCLUSIVE USE OF OUR CUSTOMERS, SUPPLIERS AND LICENSEES. THE DRAWING OR INFORMATION IS NOT TO BE DIVULGED OR SHOWN TO ANY OTHER PARTY WITHOUT THE SPECIFIC WRITTEN APPROVAL OF SOUTHERN STATES, LLC.

Southern States
The Quality Name in High Voltage Switching

30 GEORGIA AVENUE
HAMPTON, GEORGIA 30228-2199
TELEPHONE: (770) 946-4562
FAX: (770) 946-8106

OUTLINE DRAWING
TERTIARY SHUNT REACTOR SWITCHING
RLSwitcher® Type RLS38T

NO.	DATE	BY	DESCRIPTION
1	12/15/16	KXX	INITIAL RELEASE EDR XXXXX

NO.	DATE	BY	DESCRIPTION
	12/8/16	KHD	DRAWN
			CHECKED
	1:15		SCALE
			J.O. NO.
			P.O. NO.

APPROVED CHIEF ENG.
SHEET NO. 1 OF 2
 PD_Tertiary_RLSwitcher_RLS38T
 REV. 1

